



CIRCULAR SOFFIT VENTS

APPLICATION: Suitable for soffit ventilation in new builds and refurbishment projects

DESCRIPTION:

Disk shaped soffit vents. They can be fitted before or after the installation of the soffit boards to ventilate the roof space. The vents provide the recommended 1000 mm/m² ventilation opening at the eaves when installed at 250 mm centres.

BENEFITS:

- Made from polypropylene and available in five different colour options - black, brown, grey, tan & white
- Simple push-fit design for easy installation
- Grille design prevents ingress of large insects
- Can be retrofit
- Durable & resistant to decay

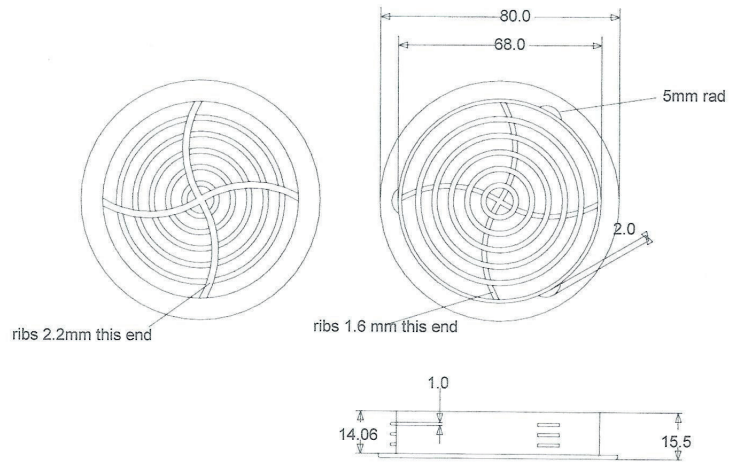
QUALITY STANDARDS:

- Satisfies all NHBC requirements
- Manufactured to BS EN ISO 9001 : 2014
- Meets all relevant British Standards



RELATED PRODUCTS:

- Birdcomb
- 3-in-1 Eaves Vent Kit
- Over Fascia Vents
- Felt Support Tray
- 2-in-1 Felt Support Tray
- 3-in-1 Felt Support Tray
- Continuous Rafter Roll



	BLACK	BROWN	GREY	TAN	WHITE	LENGTH	WIDTH	HEIGHT	BOX QTY	PALLET QTY
CIRCULAR SOFFIT VENTS	✓ ETEVC/SV/BLACK	✓ ETEVC/SV/BROWN	✓ ETEVC/SV/GREY	✓ ETEVC/SV/TAN	✓ ETEVC/SV/WHITE	80MM	80MM	15.5MM	50	N/A